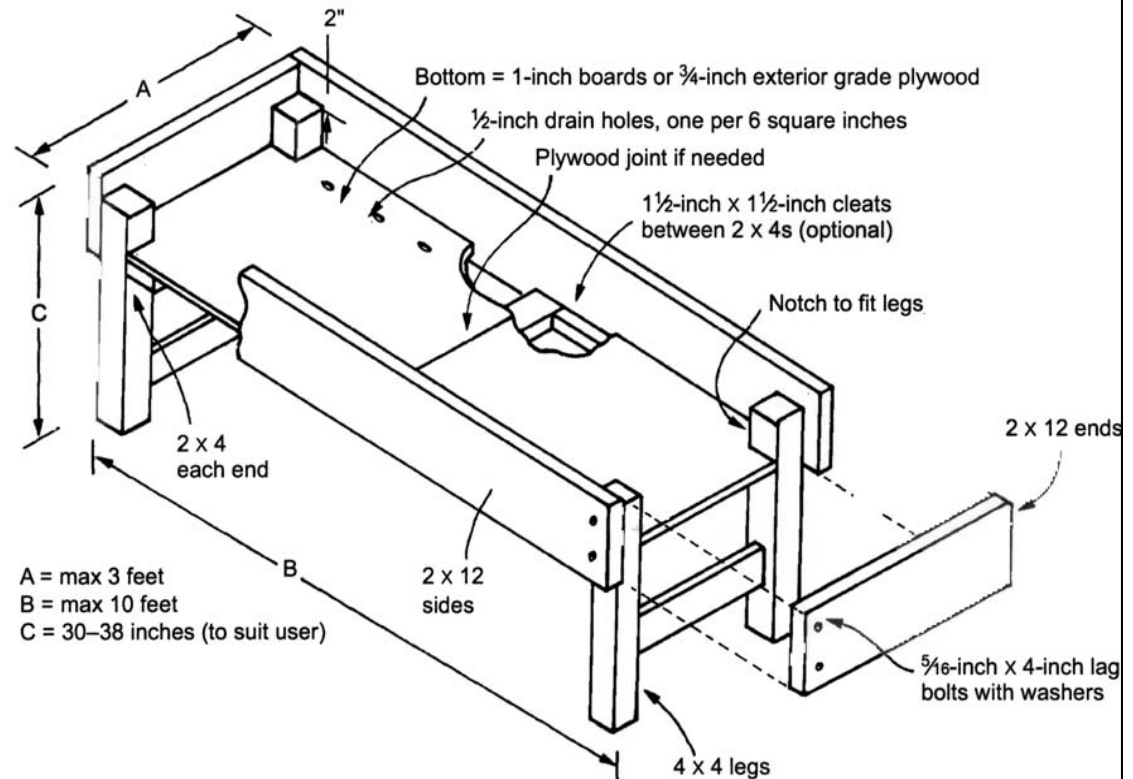


Elevated Bed Garden Blueprint



HCFM's demonstration elevated bed garden was built using this blueprint. The garden is located at Hatcher Garden & Woodland Preserve, 820 John B. White, Sr. Boulevard in Spartanburg.



MATERIALS (All wood treated)

4 x 4	12 feet	white pine
2 x 4	15 feet	white pine
2 x 2	12 feet	cedar
2 x 12	26 feet	cedar
$\frac{3}{4}$ -inch exterior grade plywood—1 sheet (4 x 8 feet)		
$\frac{5}{16}$ -inch x 4-inch lag bolts—16		

*Optional suggestion:
Center brace on bed*